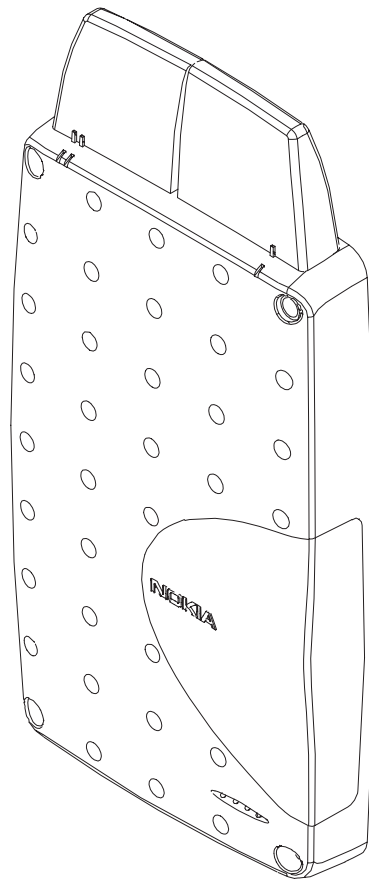


PAMS Technical Documentation

Chapter 3

TRANSCEIVER TFE-2

Model C



CONTENTS

	Page No
Introduction	3 – 3
Product and Module List	3 – 3
Exploded View of Transceiver TFE-2	3 – 4
Assembly Parts	3 – 5

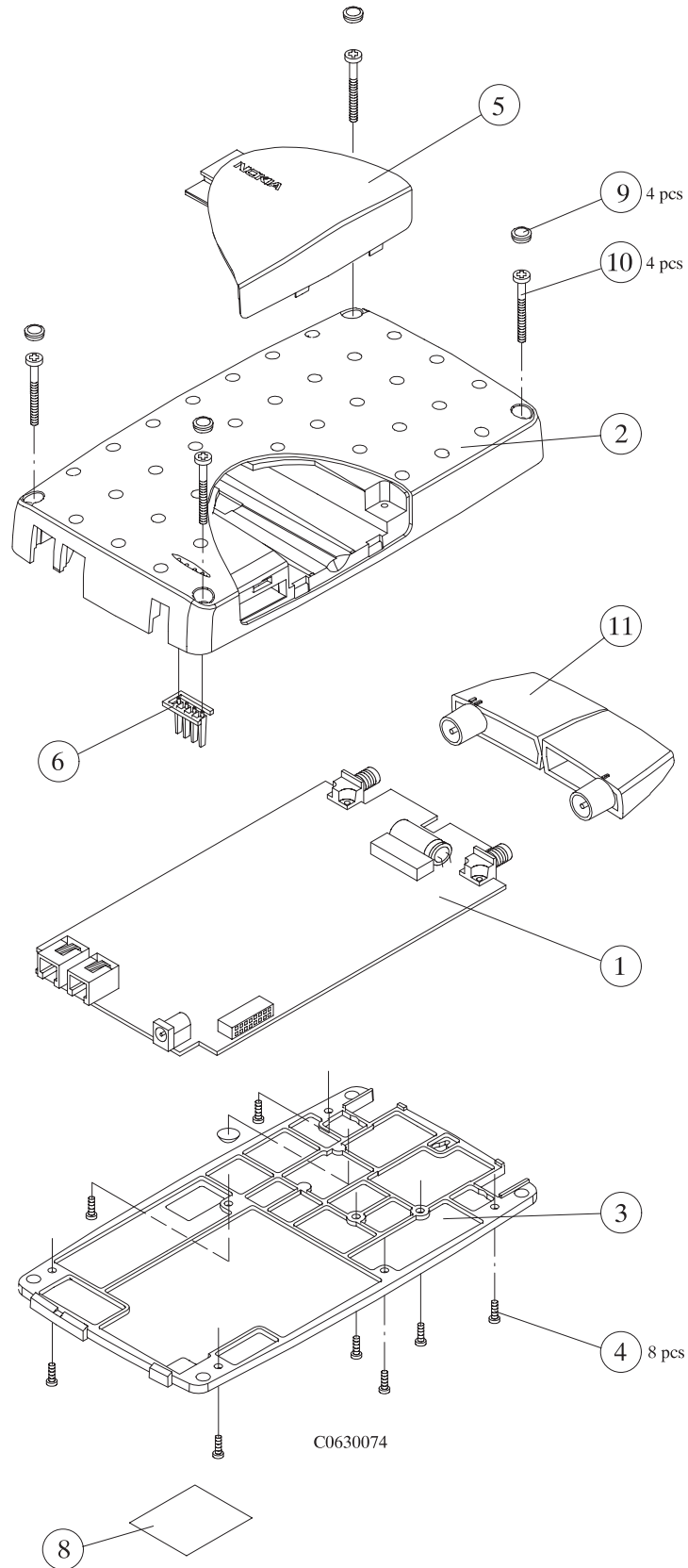
Introduction

The TFE-2 Model C terminal ensures connections for landline telephone and group 3 fax. These services are available in a very small and light WLL terminal.

Product and Module List

Unit/type:	Product code:	Module code:
Transceiver TFE-2 Model C	0630190	
• system module WT9		0201289
• mechanics MTFE1C		0261533

Exploded View of Transceiver TFE-2



Assembly Parts

EDMS 0261533

ITEM	Q'TY	CODE	DESCRIPTION	VALUE, TYPE
1		0201289	System module WT9	
2		9530009	A-cover	DMS00180
3		9530011	B-cover	DMD03578
4	8	6290033	Screw	M3x8 DIN7500C
5		9450827	Card-cover	
6		9450787	Light guide	DMD00684
8		9380155	Type label	4D 22453
9	4	9450876	Cover plug	
10	4	6290035	Screw	
11		0660133	Antenna	AHA-1E

This page intentionally left blank.